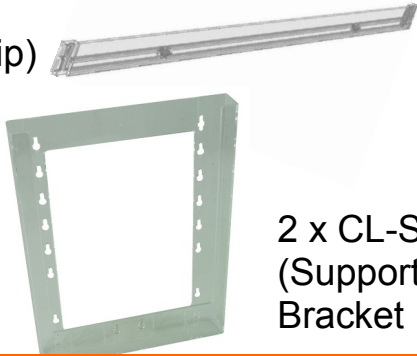


# Assembly Sheet for CL-8A4

## CONTENTS:

1 x PL46  
(Plastic Wall Strip)



8 x CL-213  
(A4 Brochure Holders )

2 x CL-SB  
(Supporting Bracket)



12 x CL-SJC  
(Side Joining Clips)



4 x CL-MC  
(Mounting Clips)



**Important! Please follow the assembly instruction carefully. Please note that the number and type of clips have been provided to configure with the diagram as shown. Any deviation will result in a shortage of the appropriate clips.**

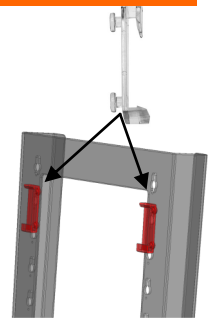
### STEP 1

Secure wall strip onto wall.  
Refer to your builder/handyman for formats of securing to wall  
For Example:-  
For mounting onto Gyprock walls, suggest using 'Wall Mates'.  
For concrete/brick walls suggest using wall plugs etc



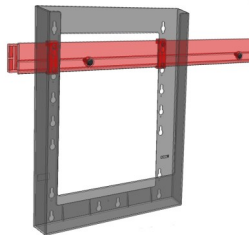
### STEP 2

Attach the two Mounting Clips into keyholes 2 & 3 of the first pocket



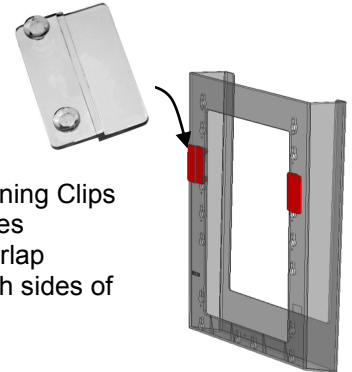
### STEP 3

Attach holder onto the wall strip



### STEP 4

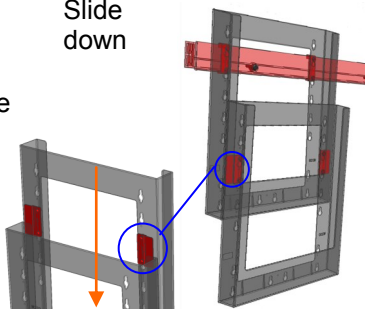
For subsequent pockets attach Side Joining Clips into the keyholes (at desired overlap spacing) to both sides of the holder



### STEP 5

Slide the back of the pocket onto the front of the pocket already mounted to Wall Strip

Slide down

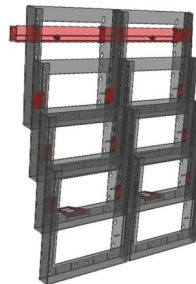


Down Joining Clips grip the face of the preceding pocket.

Go down 4 levels of pockets

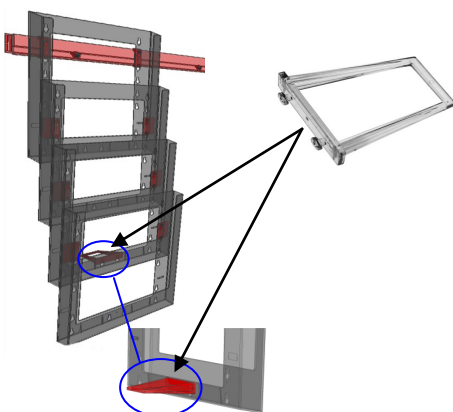
### STEP 7

Repeat another row



### STEP 6

Fit Supporting Bracket onto the back of third pocket



### YouTube Video

Assembly of Cliplock™ Standard Wall System (1m 51 sec)  
<http://www.youtube.com/watch?v=3ltiNbPFEPY>