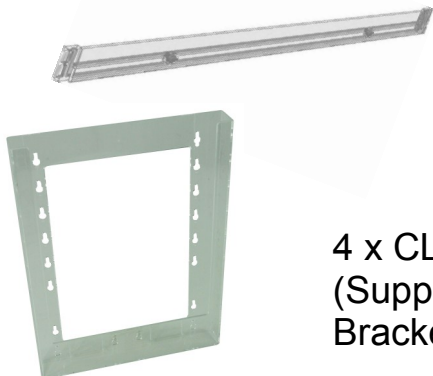


# Assembly Sheet for CL16A4

## CONTENTS:

2 x PL46  
(Plastic Wall



16 x CL-213  
(A4 Brochure  
Holders )

4 x CL-SB  
(Supporting  
Bracket



8 x CL-MC  
(Mounting  
Clips)



24 x CL-SJC  
(Side Joining  
Clips)



**Important! Please follow the assembly instruction carefully. Please note that the number and type of clips have been provided to configure with the diagram as shown. Any deviation will result in a shortage of the appropriate clips.**

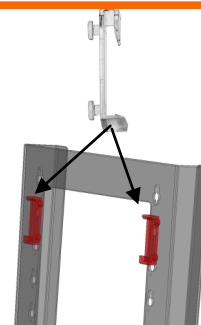
### STEP 1

Secure wall strip onto wall.  
Refer to your builder/handyman for  
formats of securing to wall  
For Example:-  
For mounting onto Gyprock walls,  
suggest using 'Wall Mates'.  
For concrete/brick walls suggest  
using wall plugs etc



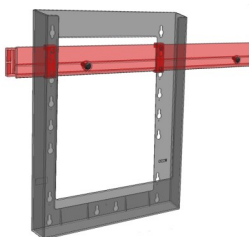
### STEP 2

Attach the two  
Mounting Clips into  
keyholes 2 & 3 of  
the first pocket



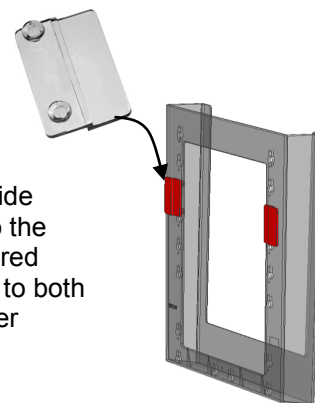
### STEP 3

Attach holder  
onto the wall strip



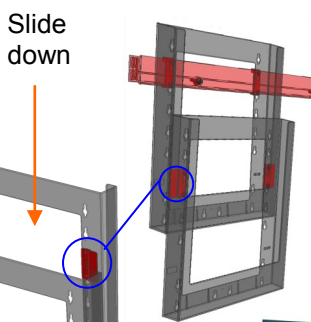
### STEP 4

For subsequent  
pockets attach Side  
Joining Clips into the  
keyholes (at desired  
overlap spacing) to both  
sides of the holder



### STEP 5

Slide the back of the  
pocket onto the front of the  
pocket already mounted  
to Wall Strip

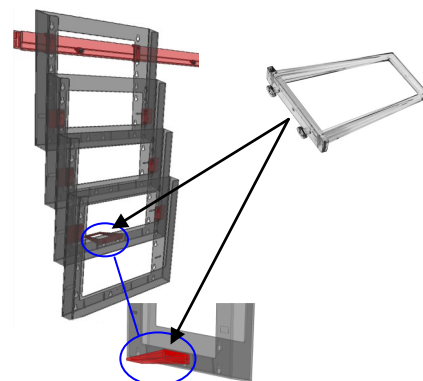


Down Joining Clips  
grip the face of the  
preceding pocket.

Go down 4 levels of pockets

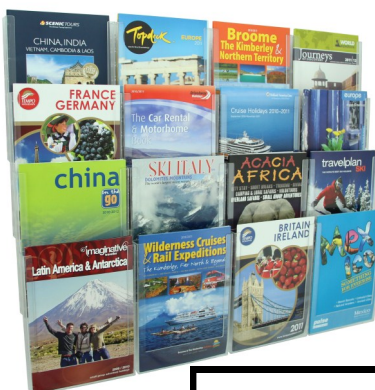
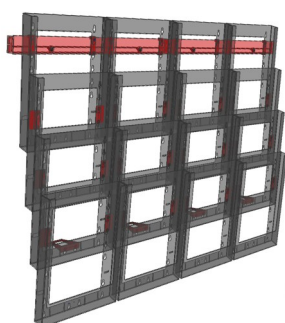
### STEP 6

Fit Supporting Bracket  
onto the back of  
third pocket



### STEP 7

Repeat 3  
more rows



### YouTube Video

Assembly of Cliplock™ Standard Wall System (1m 51 sec)  
<http://www.youtube.com/watch?v=3ltiNbPFEpY>